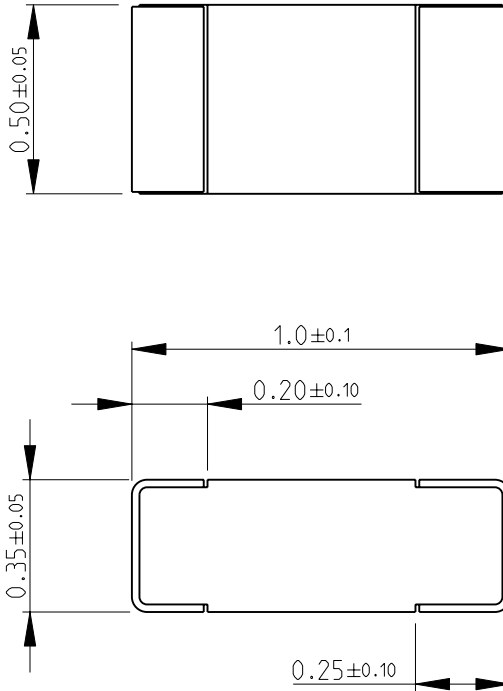
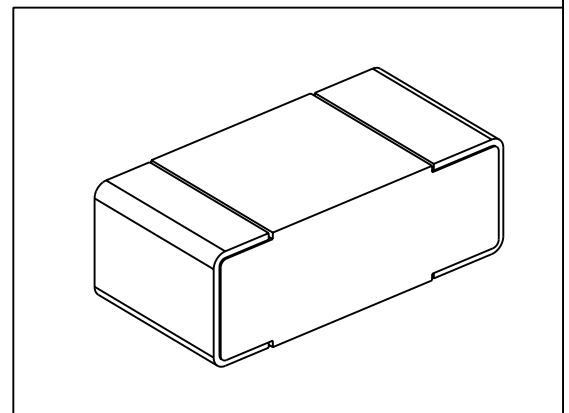


| LOC | DIST | REVISIONS | | | | | |
|-----|------|-----------|-----|---------------------------|-----------|-----|------|
| | | P | LTR | DESCRIPTION | DATE | DWN | APVD |
| E | B | | BA1 | REVISED PER ECO-11-005150 | 29MAR2011 | RK | HMR |
| | | | | | | | |

FOR FURTHER INFORMATION SEE DATA SHEET FOR
CRG SERIES-THICK FILM CHIP RESISTORS



RoHS Compliant



2008


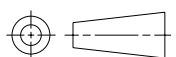
RELEASED FOR PUBLICATION

ALL RIGHTS RESERVED.

BY -

© COPYRIGHT 2008

THIS DRAWING IS UNPUBLISHED.

| | | | | | | |
|---|-------------------|-----------|--|------------|-----------|---------------|
| DIMENSIONS: mm | DWN SUBHASH.M | 06-Oct-08 | MATERIAL | - | FINISH | - |
| | CHK PRAKASH.S | 06-Oct-08 |  TE Connectivity | | | |
| TOLERANCES UNLESS OTHERWISE SPECIFIED: | APVD STEPHEN.P | 06-Oct-08 | | | | |
| 0 PLC ±0.5 | PRODUCT SPEC | - | NAME THICK FILM CHIP RESISTORS SERIES CRG 0402 | | | |
| 1 PLC ±0.2 | APPLICATION SPEC | - | | | | |
| 2 PLC ±0.1 | WEIGHT | - | SIZE | A 4 | CAGE CODE | 00779 |
| 3 PLC ±- | | | DRAWING NO | C= 1622826 | | RESTRICTED TO |
| 4 PLC ±- | | | | | | - |
| ANGLES ±5° | | | | | | |
|  | CUSTOMER DRAWING | | SCALE | 50:1 | SHEET | 1 OF 1 |
| | | | | | | REV BA1 |